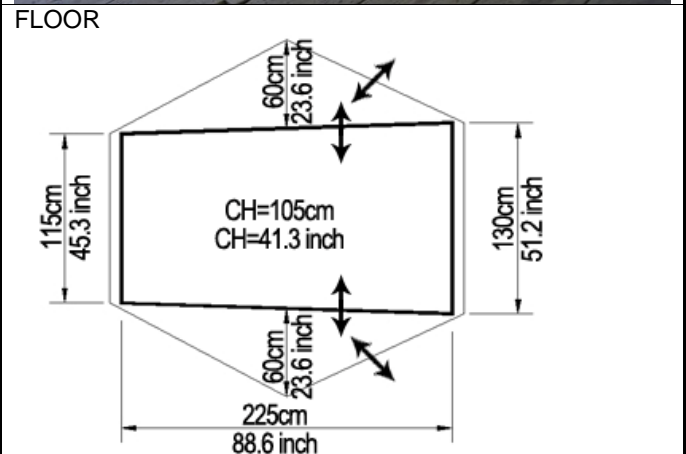


North Tek Gear. 2011			DATE :	1-1-11
			PHONE:	614-679-1201
			FAX :	614-888-0625
ITEM	North Tek Mars 2		E-MAIL :	sean@northtekgear.com
STYLE	Lightweight	TYPE	Inner Tent First-	
SIZE	INNER	See drawing	FLY	See drawing

	MATERIAL/FABRICS	COLOUR	COLOUR	TAPING
FLY	Polyester Rib Stop 210T 70D PU 3.000 FR	19-6311	16-1362	PU
SLEEVES				
INNER TENT	Polyester Rib Stop 210T 70D BR FR	16-1362		
SLEEVES	Polyester Oxford PU 2000 FR	black		
INNER TENT FLOOR	Nylon Taffeta 190T 70D PU 5.000 FR	Black		PU
FLOOR				
MESH	No see um 50D FR	Black		
ZIPPER FLY	#8 polyester coil W/R	Black		
ZIPPER INNER	#5 polyester coil	Black		

FRAME		ACCESSORIES	
OUTER Alu 7001 T6	OD 8,5mm 2 lines 356 cm Gold	PEGS	Alu Hex 18cm 5mm
OUTER Alu 7001 T6	OD 8,5mm 1 line 301 cm Gold	PEGS	18 pc
OUTER Alu 7001 T6		GUY LINES	4 pc OD 3mm Fluo.



PACKING			
LOGO	SITE	ACC'S BAG	P/T
LABELS	Warning & Composition	POLE BAG	P/T
INSERT		TENTBAG	Polyester Oxford Compress
N.W.	2,7 kg	BAG SIZE	49cm X 14cm
Q'TY CARTON	6 pc	G.W.	16,8 kg
CBM.		PRICE	FOB Ohio Warehouse \$215.64